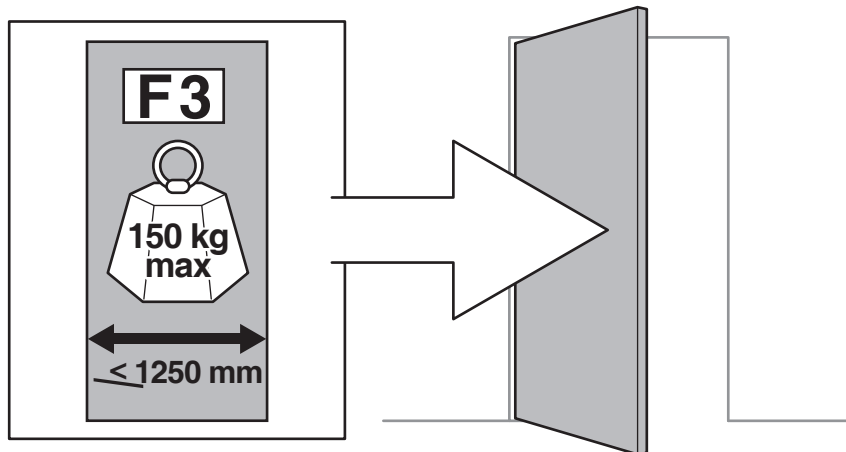


PSI-150



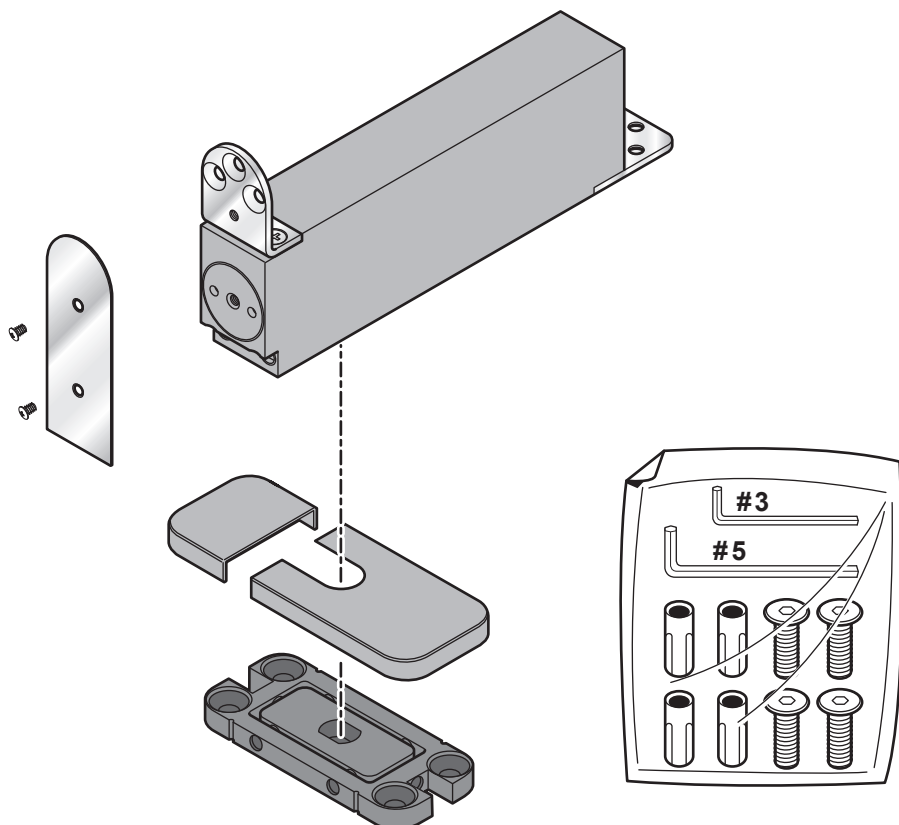
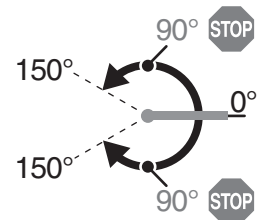
Lees deze handleiding volledig door voordat u met de montage begint



RVS geborsteld

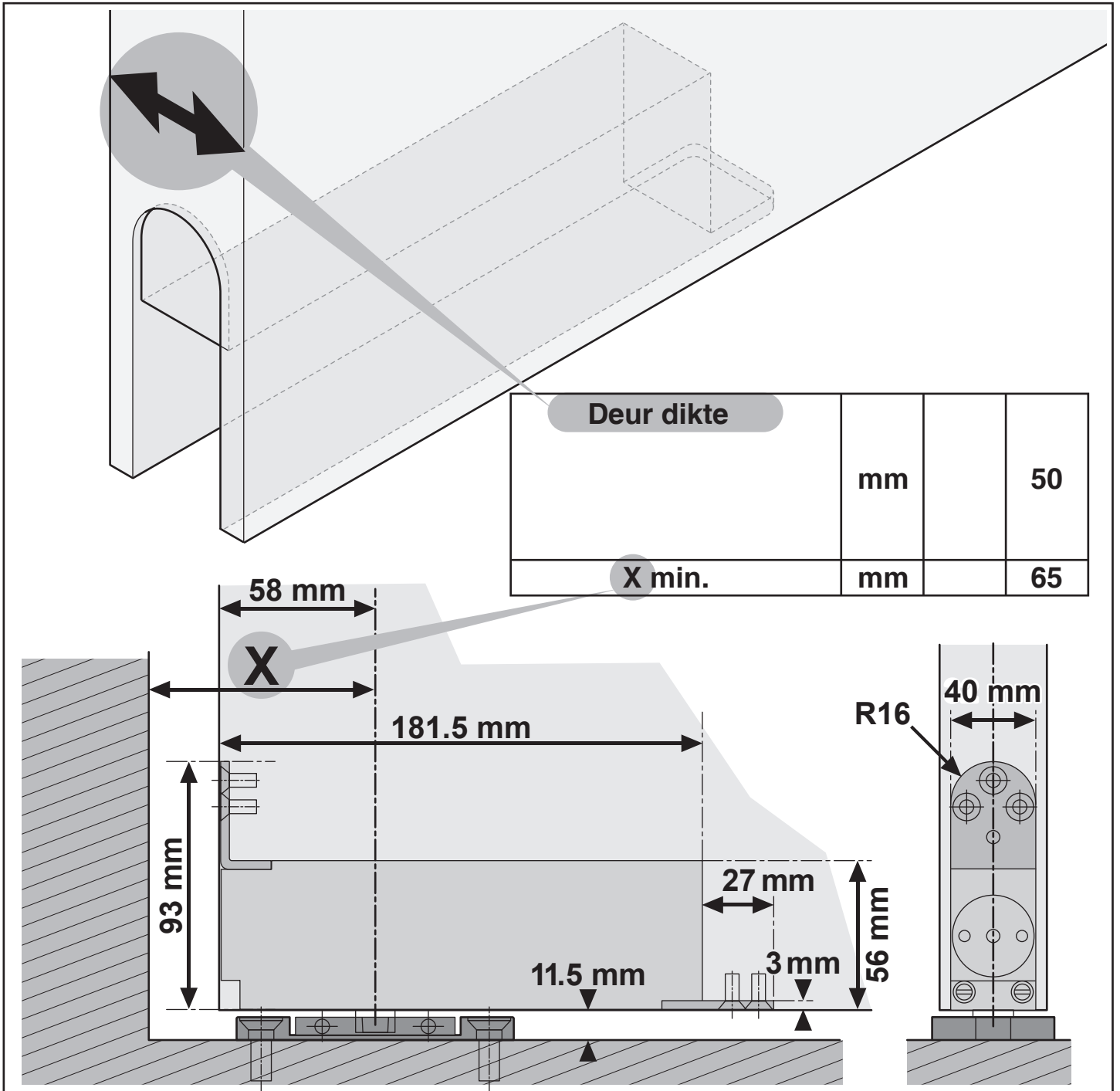
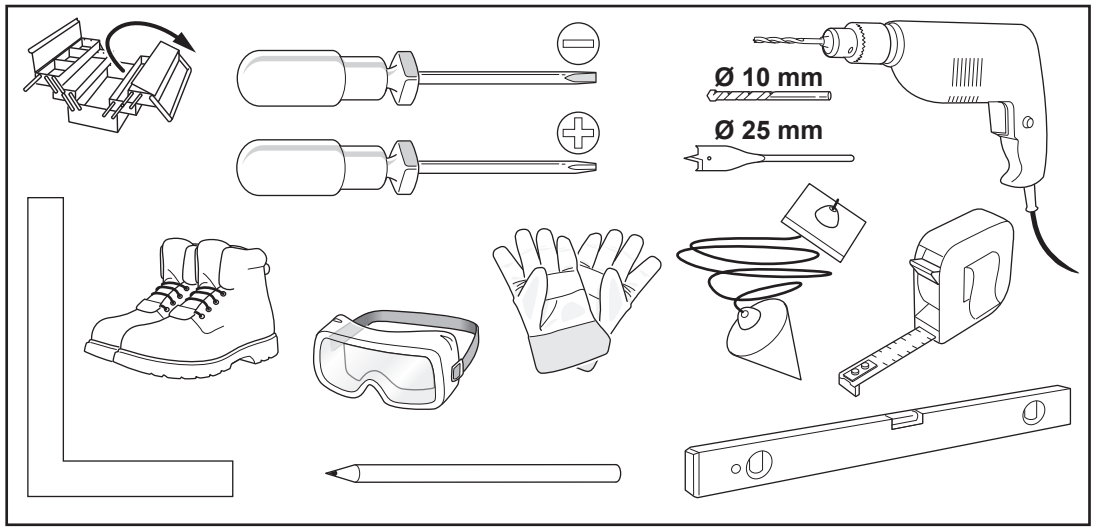
40-0200-080

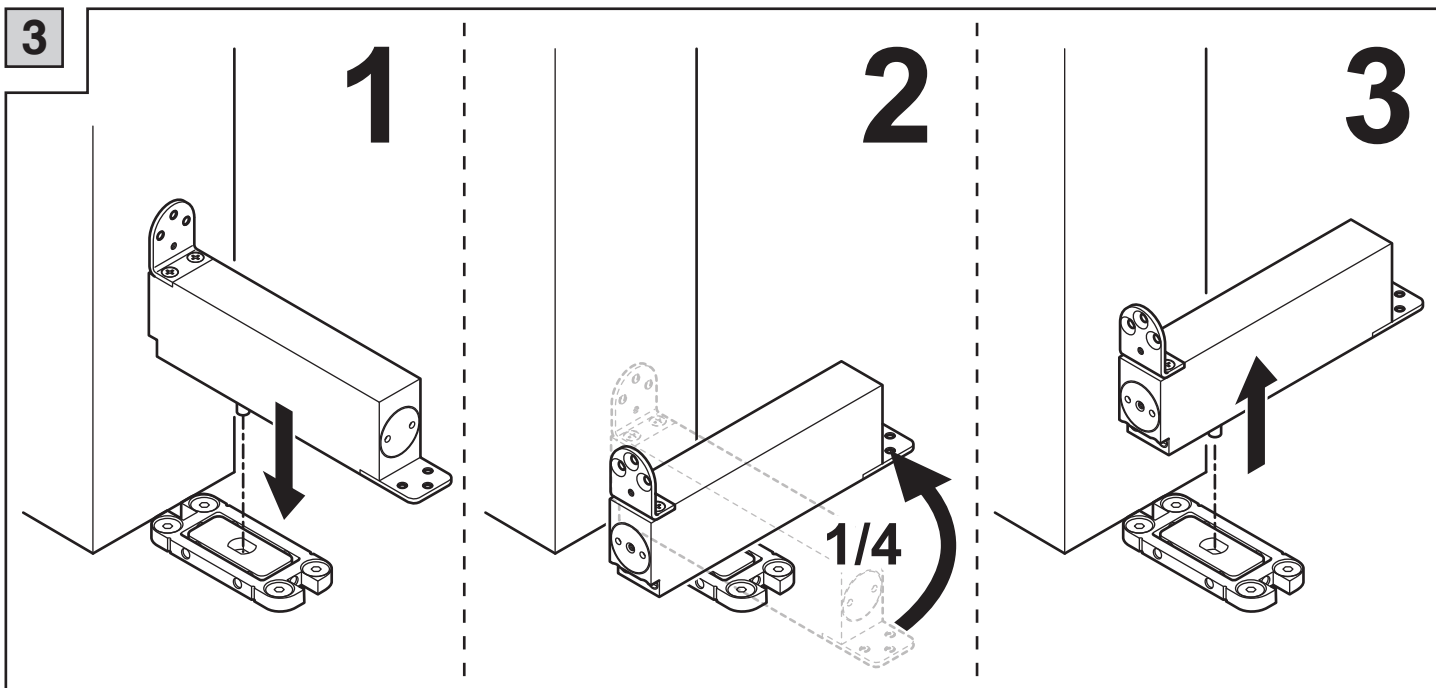
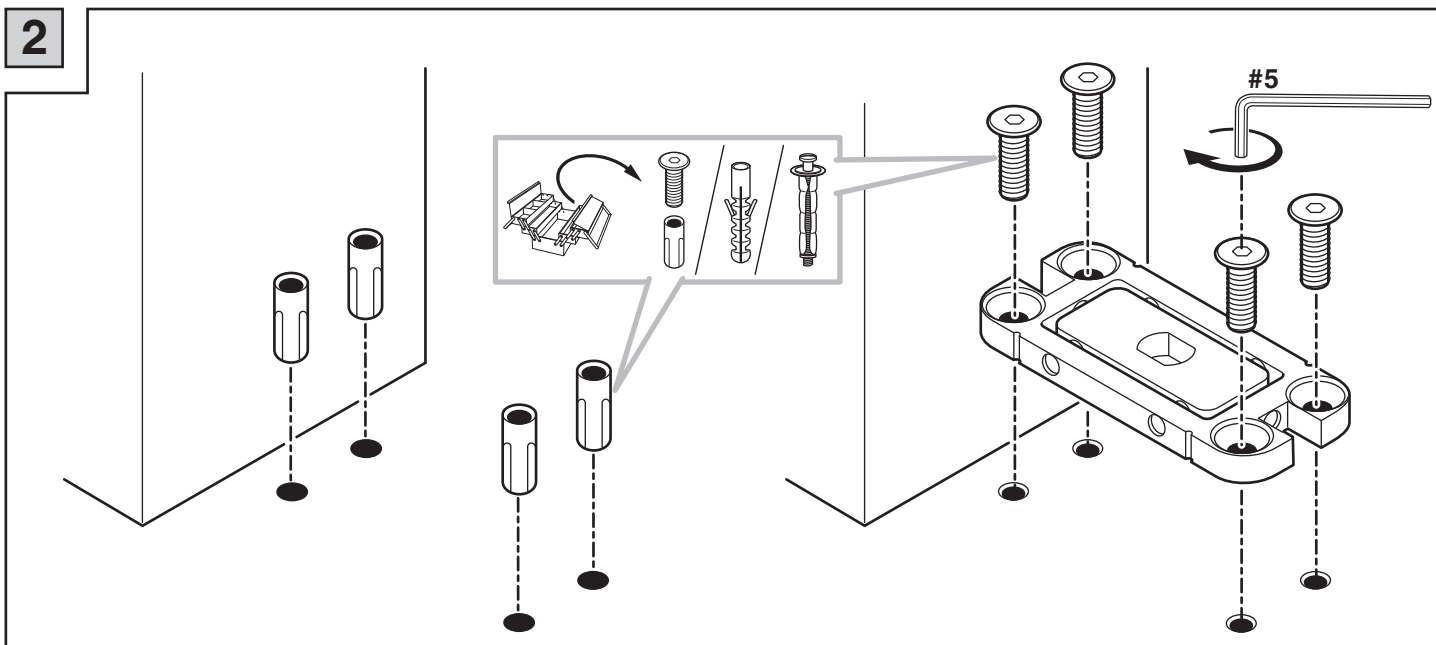
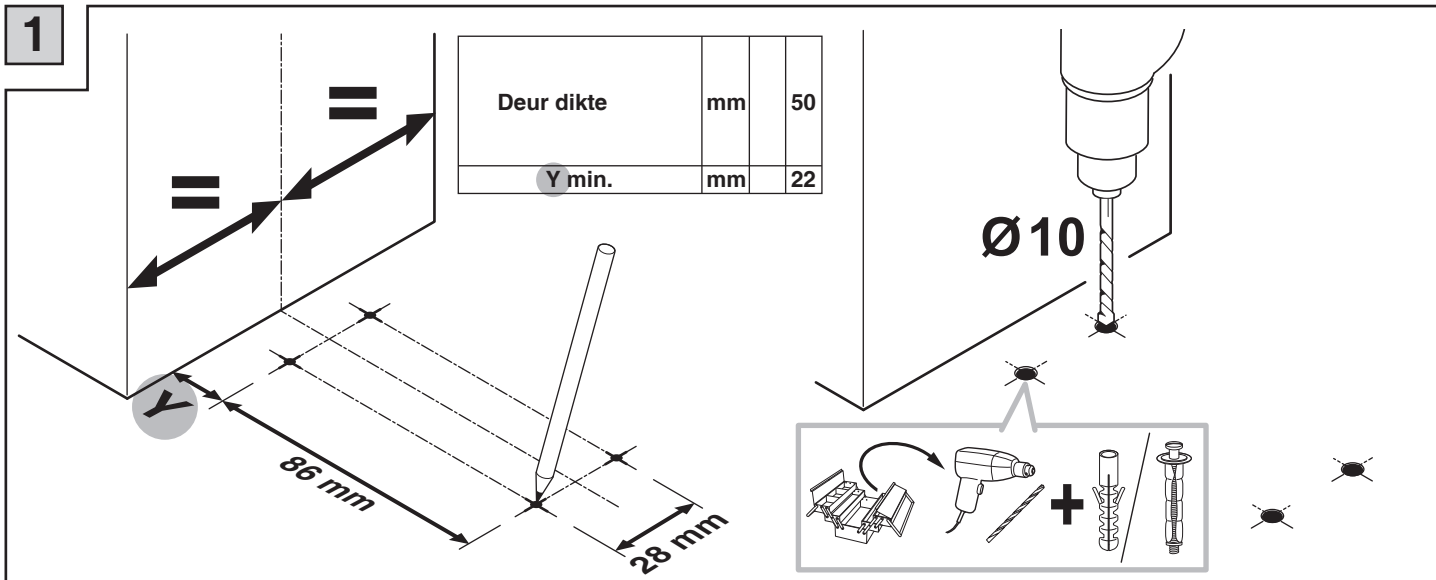
F3

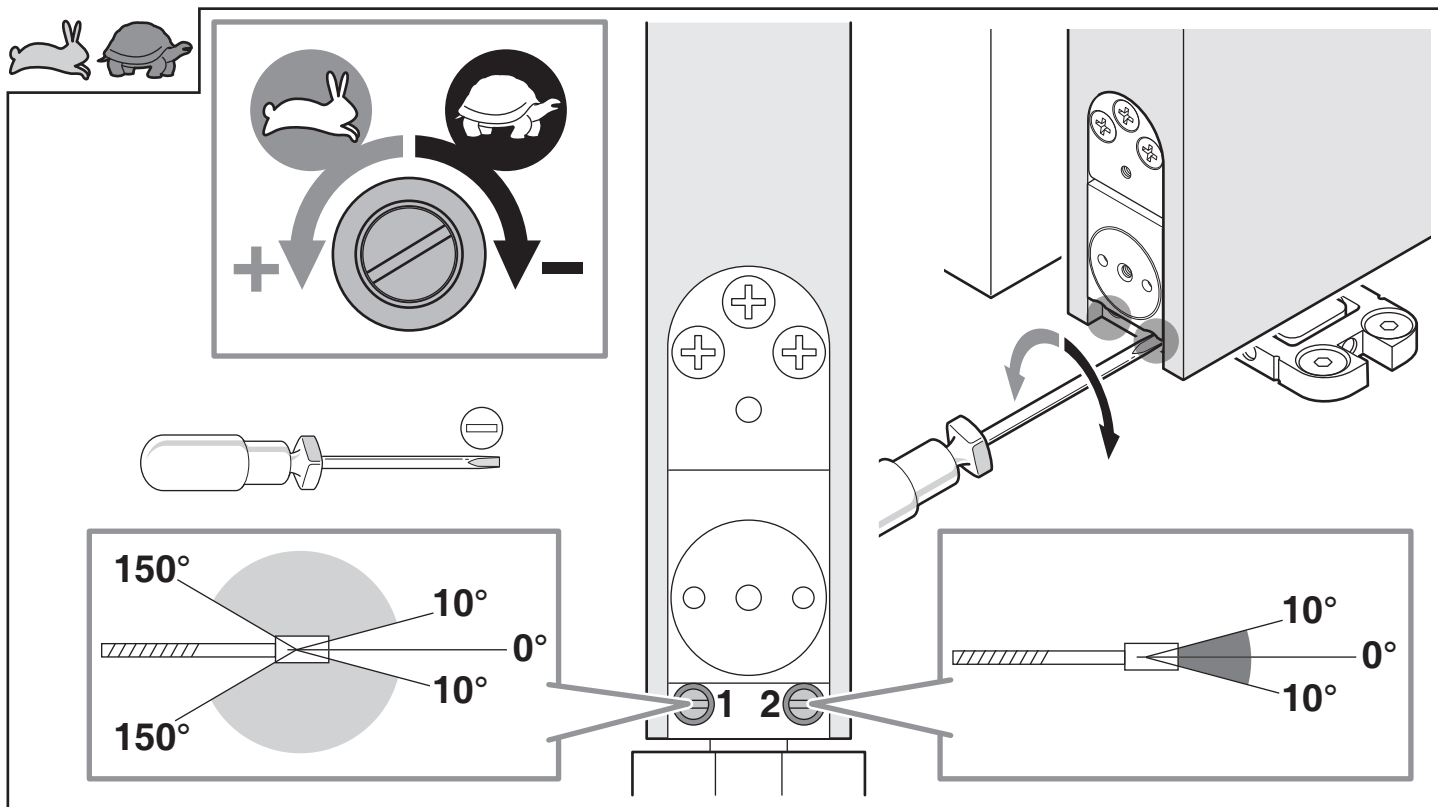
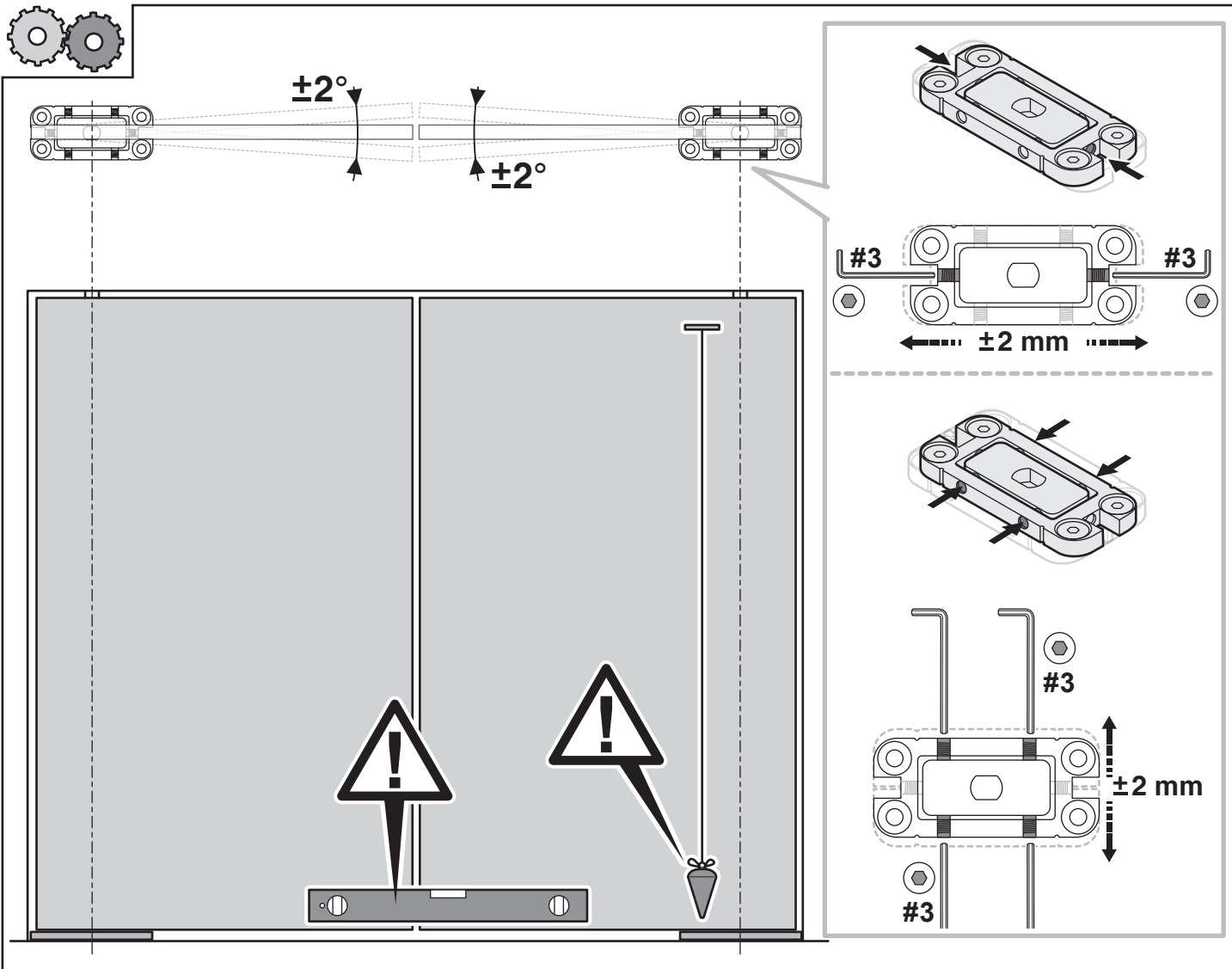


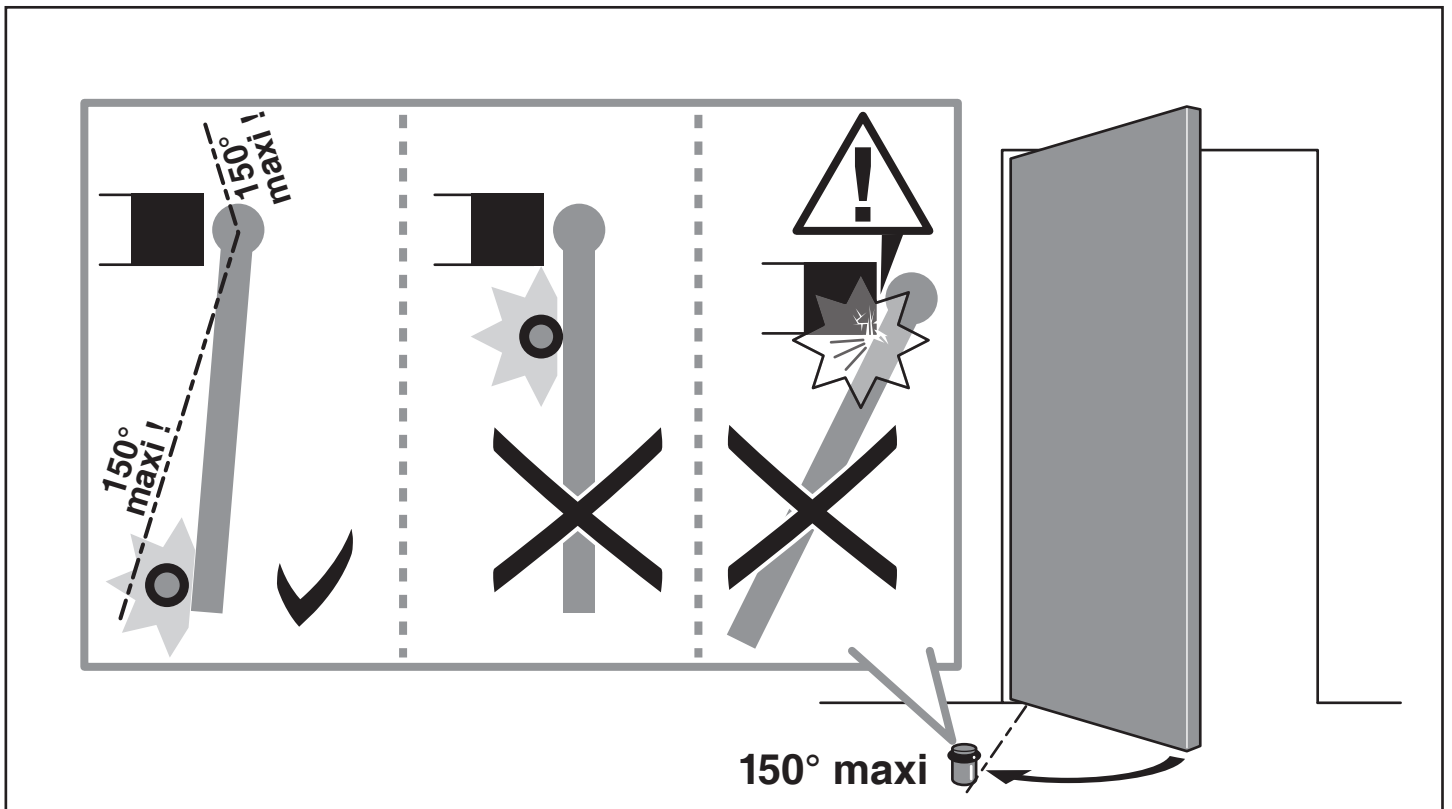
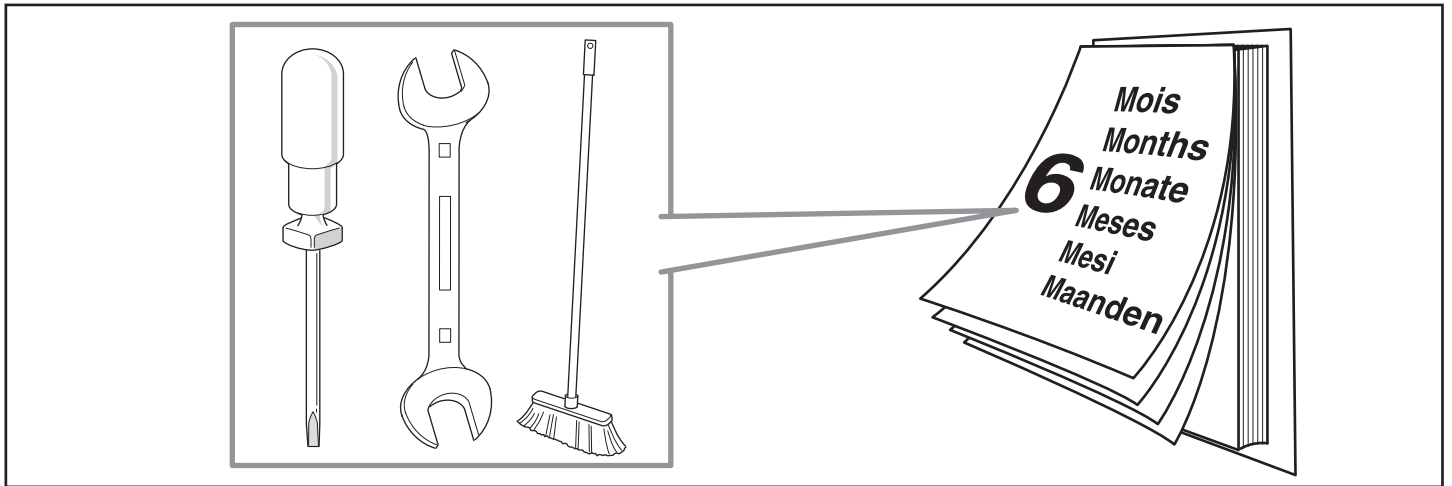
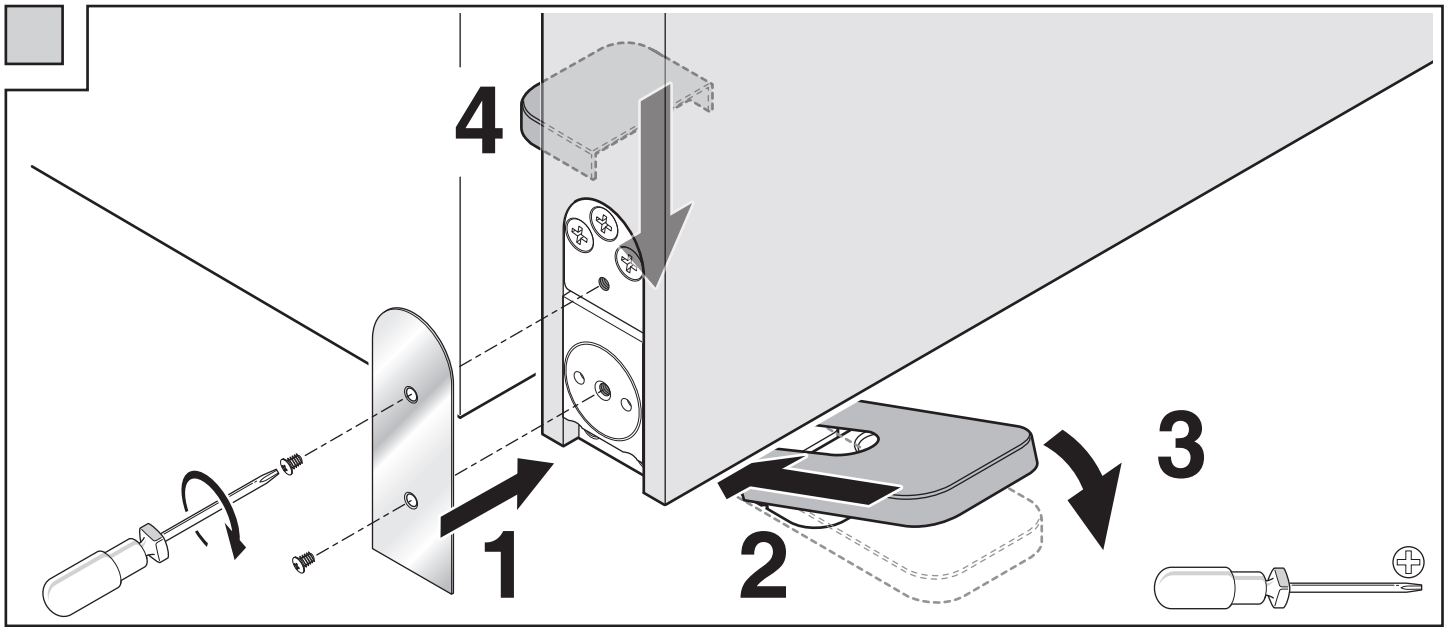
1

3 h









WARRANTY

- Citgez Trading guarantees the product against any latent defect that might appear upon implementation
- Our guarantee expires at the end of a 48 month period following the date of manufacture, or at the end of a 12 month period following the recognized date when the products were implemented.
- Should a latent defect be suspected the customer must inform the retailer straight away so that a contradictory investigation can be carried out to determine whether the latent defect is attributable to Citgez Trading .
- This guarantee only concerns the replacement of the product, it does not cover labour or shipment costs. It applies in the case of normal use.
- Citgez trading will take no responsibility if the product has been modified, or if the product has been set in a different way from what is recommended by our outstanding procedures, or if it is being used in a different way from what it was designed for as described in our documents, or if the defect found results from an incompatibility between our product and components from a different source. Our guarantee does not extend either to defects or damage resulting from normal wear, accidents, or a modification on the product not recommended by Citgez Trading .

CITGEZ
TRADING

Mulder 18
info@citgeztrading.nl