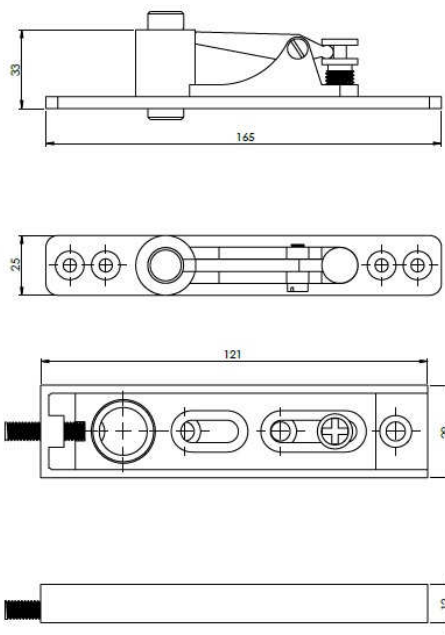


## Adjustable Top Pivot

### Image :



### Dimensions :



### Articlenumbers:

BS-15

40-0200-005

### Mertech Taatsdeursystemen

Rijssen, Nederland

Telefoon +31 (0)85 9026 222

E-mail [info@mertech.nu](mailto:info@mertech.nu)

Website [www.mertech.nu](http://www.mertech.nu)

### Characteristics :

#### Suitable for type of systems:

PSI-100, PSI-150 and PSF-100

#### Suitable for type of doors:

Pivot doors single or double: Wood, Steel and Aluminium.

#### Door thickness:

from 40 mm

#### Invisible:

The upper pivot is incorporated into the door. A ceilingplate is visible only.

#### Suitable for ceiling height door panels:

With toppivot it is possible to mount up to 3 mm below the ceiling, this is even possible with room high doors.

#### Mountening:

in a wooden frame

#### Gearing:

Needle bearing

#### Material:

Made of Zamack, door part is fitted with slide bearing

#### Rotation:

At the end or the middle of the door

#### Guarantee:

2 years

#### Adjustable:

The top pivot (framepart) is vertically adjustable. 25 mm upward and downward rotation. The top pivot (door part) is horizontally adjustable. 5mm forwards and backwards

#### Door weight:

Up to 200 kg per door leaf.

#### Door width:

Door width of up to 1250 mm.

#### Finish:

Standard stainless steel or black, other finishes on request