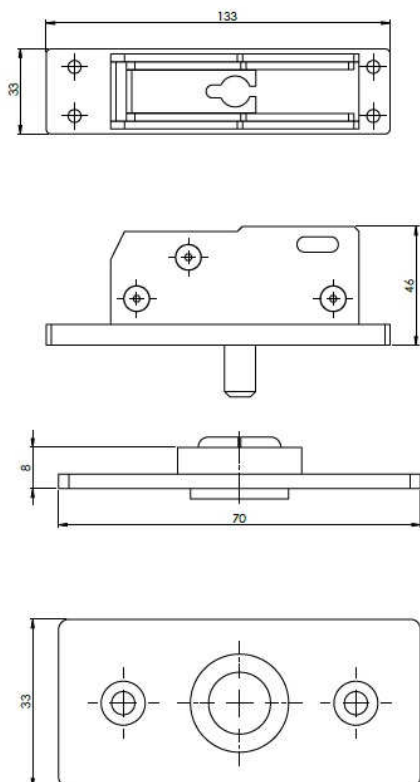


Adjustable Top Pivot

Image :



Dimensions :



Articlenumbers:

BS-30

40-0200-064

Mertech Taatsdeursystemen

Rijssen, Nederland

Telefoon +31 (0)85 9026 222

E-mail info@mertech.nu

Website www.mertech.nu

Characteristics :

Suitable for type of systems:

PSI-100, PSI-150 and PSF-100

Suitable for type of doors:

Pivot doors single or double: Wood, Steel and Aluminium.

Door thickness:

from 40 mm

Invisible:

The lower pivot is incorporated into the door. A ceilingplate is visible only.

Suitable for ceiling height door panels:

With our unique toppivot it is possible to mount up to 3 mm below the ceiling, this is even possible with room high doors.

Mountening:

under the ceiling

Gearing:

Nylon bearing

Material:

Made of stainless steel and zamack and aluminum. The ceiling part is equipped with friction bearing

Rotation:

At the end or the middle of the door

Guarantee:

2 years

Adjustable:

The top pivot is adjustable horizontally and vertically. Horizontally 5 mm forwards and backwards, vertically 20 mm

Door weight:

Up to 200 kg per door leaf.

Door width:

Door width of up to 1250 mm.

Finish:

Standard stainless steel or black, other finishes on request